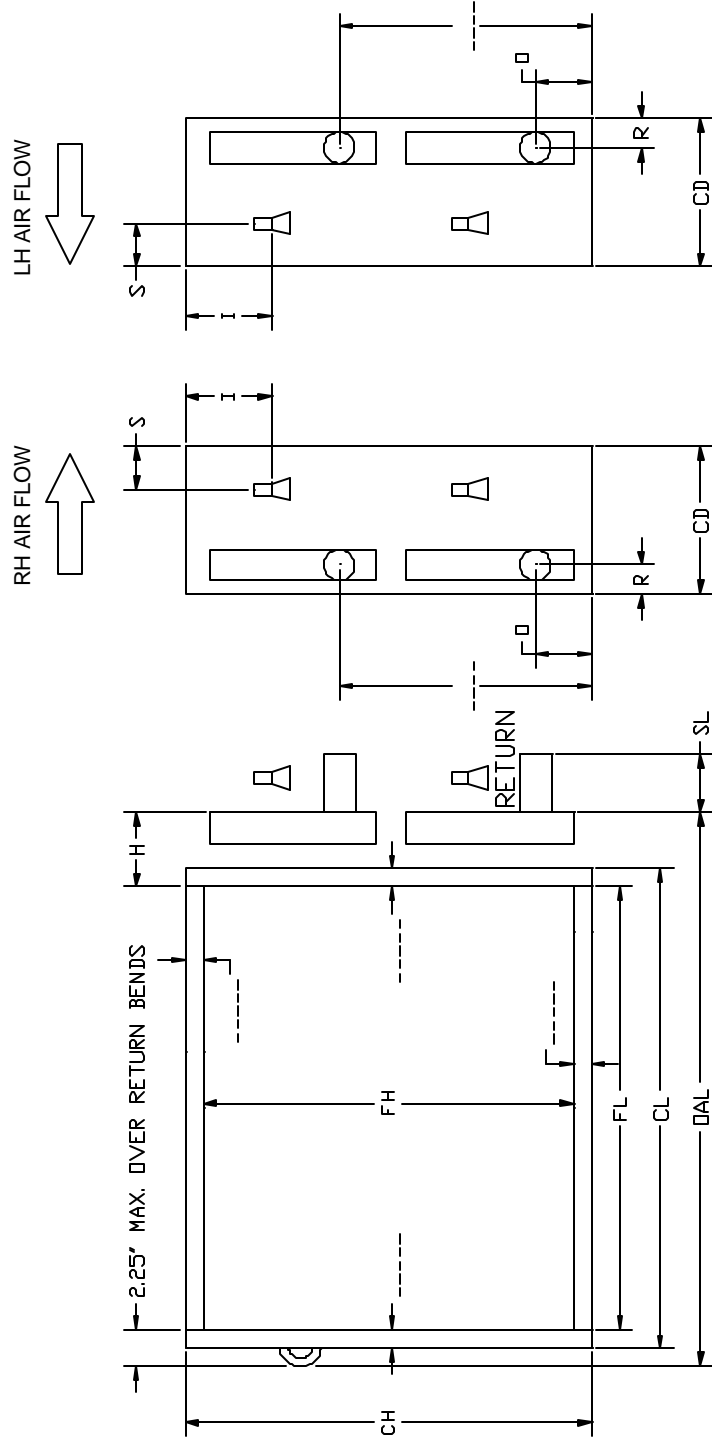



DIRECT EXPANSION COIL WITH FACE SPLIT



TUBE SUPPORTS REQUIRED YES NO

ALL DIMENSIONS IN INCHES																	
ITEM	QTY	ROWS	FPI	FH	FL	CH	CL	CD	HD	SUPPLY			RETURN				
										OAL	SL	X	I	S	O	R	
NOTES:												CUSTOMER					
 Coilmaster CORPORATION 440 INDUSTRIAL DRIVE MOSCOW, TN 38057 (P) 888.302.6049 (P) 901.877.3333 (F) 901.877.3335												W.O.					
MODEL																	
P.O.#																	

MATERIAL LIST

TUBES
 3/8" 1/2" 5/8"
 .014 .016 .020
 .022 .025 .025
 .035 .049

AI FINS **Cu FINS**
 .006 .006
 .0075 .0075
 .010 .010

CASING HEADERS
 Galv. Type L Cu
 304SS Other
 Al
 Cu

LIQUID
 DIST1: _____"
 DIST2: _____"

SUCTION
 DIA SWT: _____"

REFRIGERANT DISTRIBUTOR
 STANDARD FOR SUPPLY
 CONNECTION

EXPANSION VALVES NOT
 PROVIDED BY COILMASTER

COILS ARE TESTED UNDER
 WATER CHARGED WITH
 550 PSI DRY NITROGEN

TUBE SUPPORTS ARE
 RECOMMENDED FOR ALL
 COILS EXCEEDING 50
 INCHES OF FIN LENGTH