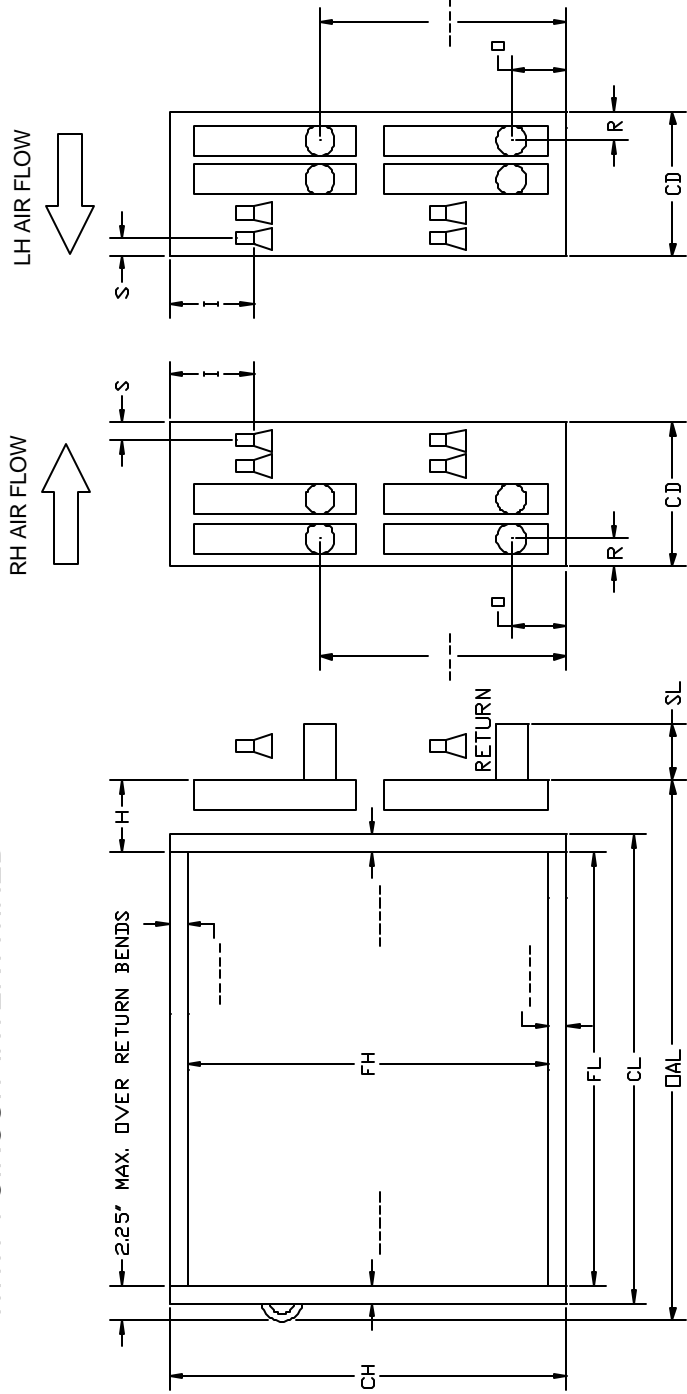


**DIRECT EXPANSION COIL  
WITH 4 CIRCUIT INTERTWINED**



TUBE SUPPORTS REQUIRED  YES  NO

ALL DIMENSIONS IN INCHES															
ITEM	QTY	ROWS	FPI	FH	FL	CH	CL	CD	HD	OAL	SL	SUPPLY	RETURN		
												I	S	O	R

NOTES:

**Coilmaster**  
CORPORATION  
440 INDUSTRIAL DRIVE  
MOSCOW, TN 38057  
(P) 888.302.6049  
(P) 901.877.3333  
(F) 901.877.3335

CUSTOMER

W.O.

MODEL

P.O.#

**MATERIAL LIST**

TUBES  
3/8"  1/2"  5/8"   
 .014  .016  .020  
 .022  .025  .025  
 .035  .049

AL FINS  Cu FINS   
 .006  .006  
 .0075  .0075  
 .010  .010

CASING HEADERS  
 Galv.  Type L Cu  
 304SS  Other

LIQUID  
 Al  
 Cu

DIST1: \_\_\_\_\_"  
 DIST2: \_\_\_\_\_"  
 DIST3: \_\_\_\_\_"  
 DIST4: \_\_\_\_\_"

SUCTION  
 DIA SWT: \_\_\_\_\_"

REFRIGERANT DISTRIBUTOR  
 STANDARD FOR SUPPLY  
 CONNECTION

EXPANSION VALVES NOT  
 PROVIDED BY COILMASTER

COILS ARE TESTED UNDER  
 WATER CHARGED WITH  
 550 PSI DRY NITROGEN

TUBE SUPPORTS ARE  
 RECOMMENDED FOR ALL  
 COILS EXCEEDING 50  
 INCHES OF FIN LENGTH