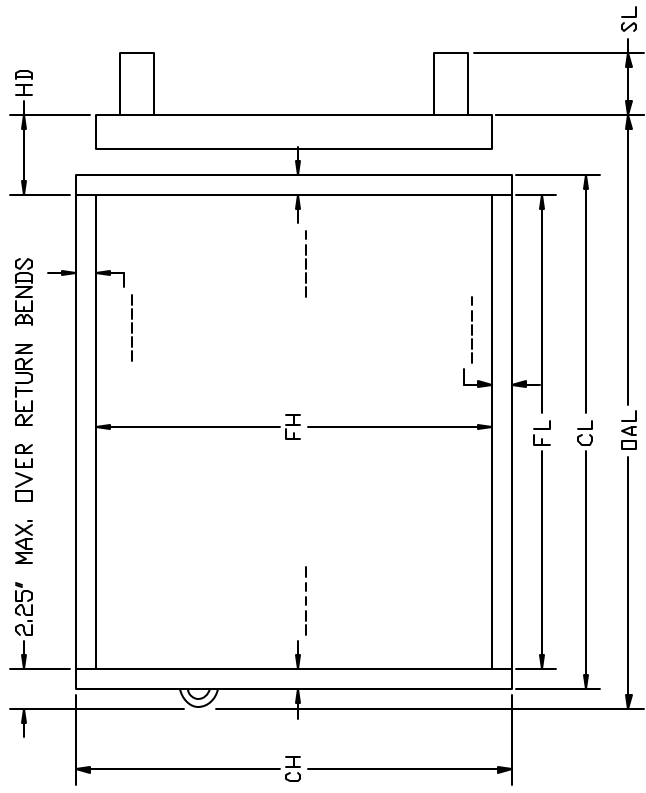


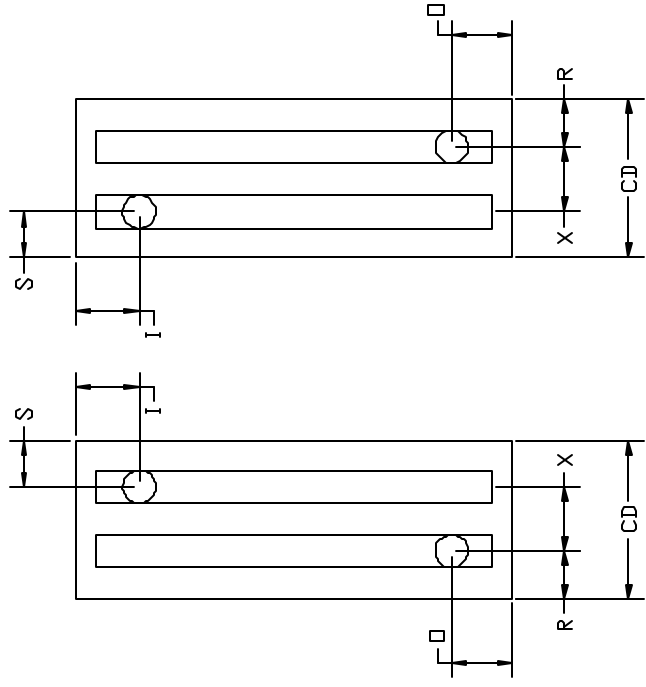
FLUID COIL



RH AIR FLOW



LH AIR FLOW



TUBE SUPPORTS REQUIRED YES NO

ALL DIMENSIONS IN INCHES

ITEM	QTY	ROWS	FPI	FH	FL	CH	CL	CD	HD	OAL	SL	X	SUPPLY			RETURN			
													O	R	S	I	S		

NOTES:

Coilmaster
CORPORATION
440 INDUSTRIAL DRIVE
MOSCOW, TN 38057
(P) 888.302.6049
(P) 901.877.3333
(F) 901.877.3335

CUSTOMER

W.O.

MODEL

P.O.#

MATERIAL LIST

TUBES

- 3/8" 1/2" 5/8"
- .014 .016 .020
- .022 .025 .025
- .035
- .049

AL FINS

- .006 .006
- .0075 .0075
- .010 .010

CASING

- Galv. Type L Cu
- 304SS Other

HEADERS

- Al Cu

SUPPLY

RETURN

DIA: " DIA: " DIA: "

COPPER SWEAT CONNECTIONS STANDARD

COILS ARE TESTED UNDER WATER CHARGED WITH 550 PSI DRY NITROGEN

TUBE SUPPORTS ARE RECOMMENDED FOR ALL COILS EXCEEDING 50 INCHES OF FIN LENGTH